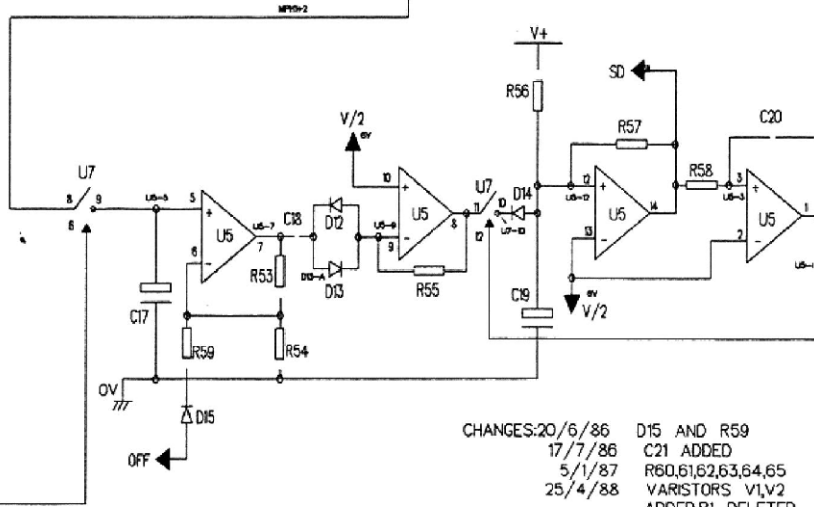
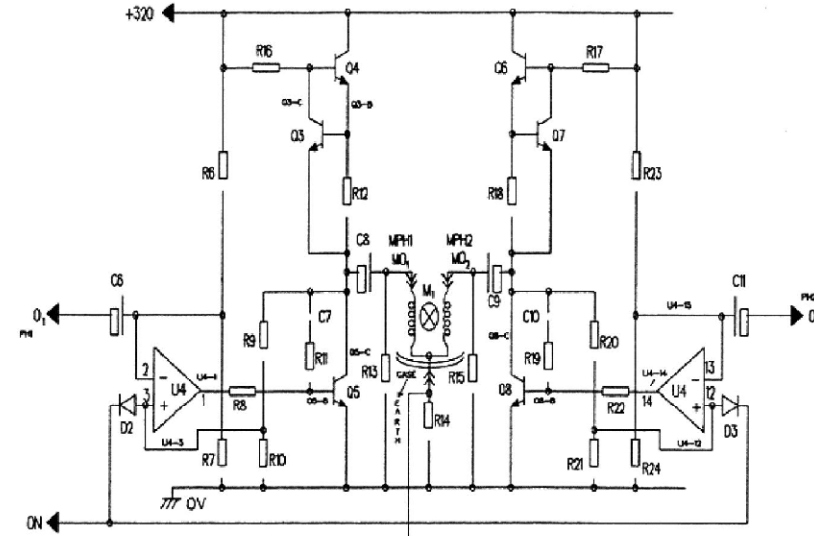
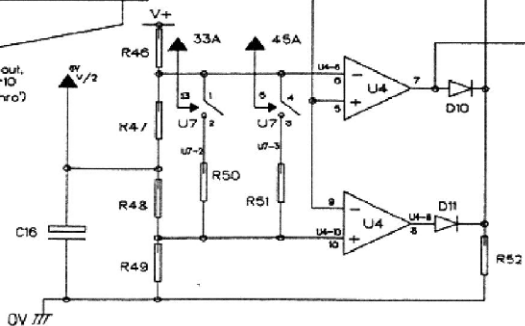
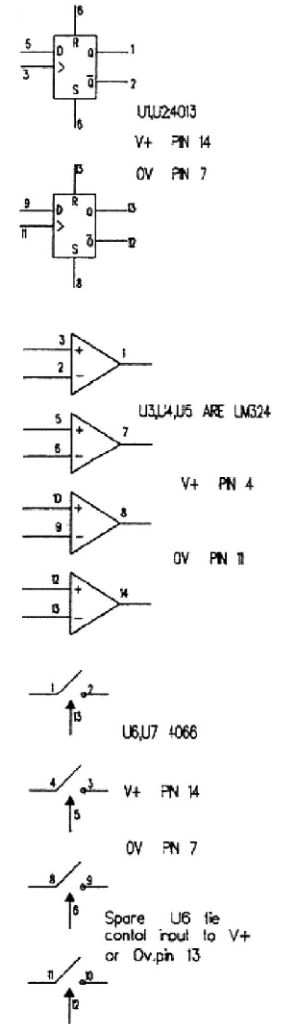


NOTE: must be switched out, in the phs 2,3,9 or 10 (or else bad feed thro)



CHANGES: 20/6/86 D15 AND R59
17/7/86 C21 ADDED
5/1/87 R60,61,62,63,64,65
25/4/88 VARIATORS V1,V2
ADDED, R1 DELETED



UPTO: C21, R59, BR1, Q8, D15, U7, M1, F1, P2,

AXIS