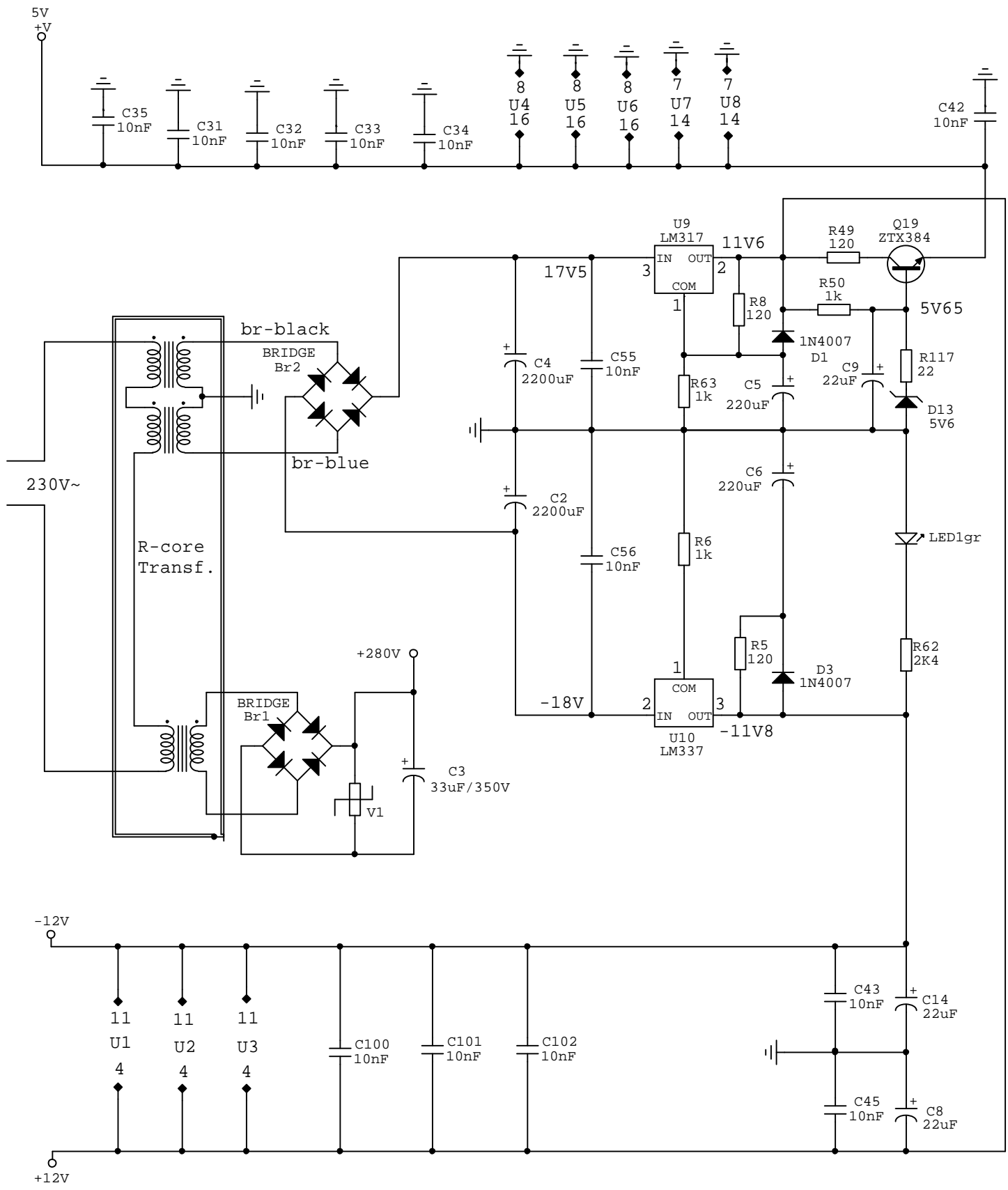
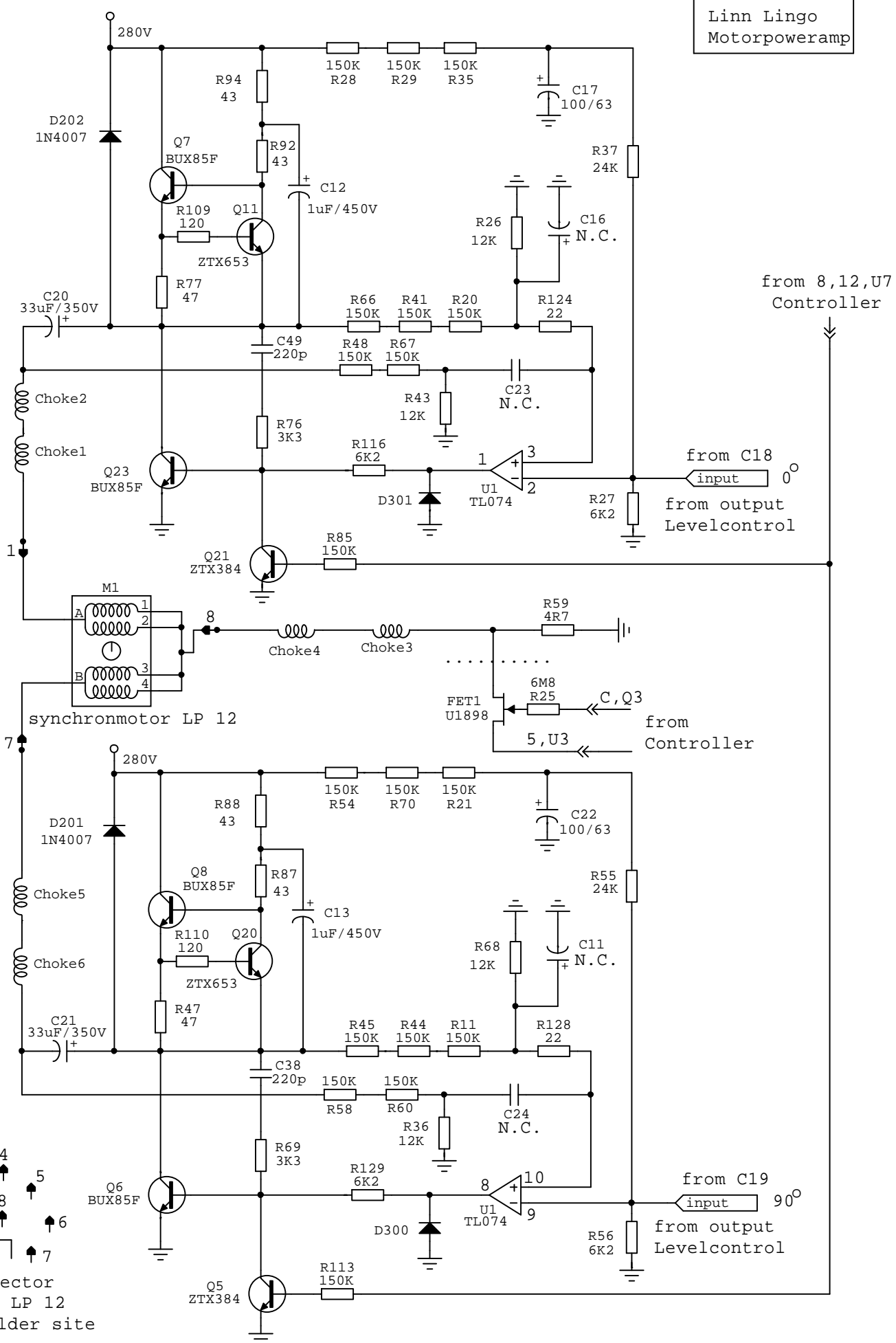


Linn Lingo Levelcontrol



Linn Lingo
Power supply

Linn Lingo
Motorpoweramp



==

from 8,12,U7
Controller

from C18
input 0°
from output
Levelcontrol

from
Controller

from C19
input 90°
from output
Levelcontrol

connector
from LP 12
fem solder site